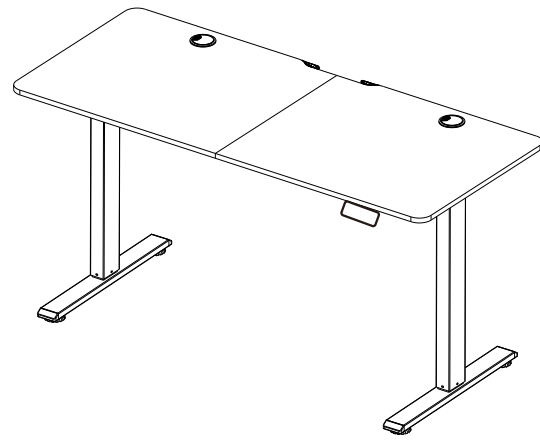
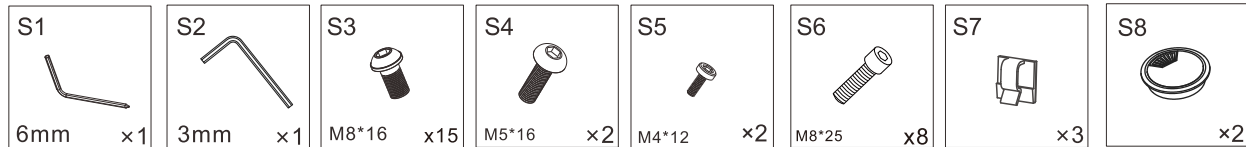


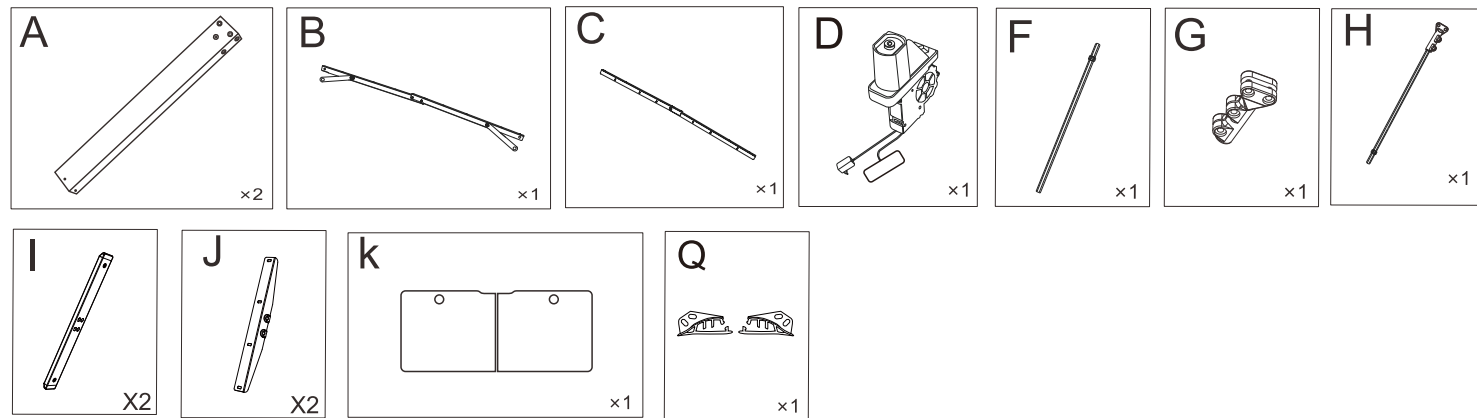
Assembly Instruction



• SCREW ACCESSORIES



• PARTS ACCESSORIES



1

Parts: B, C

Accessories: S3 (M8*16 x4), S1 (6mm x1)

2

Parts: A*2, B

Accessories: S3 (M8*16 x4), S1 (6mm x1)

3

Part: C

Accessories: S3 (M8*16 x2), S1 (6mm x1)

Note: Make sure the Front labels are in the same direction.

4

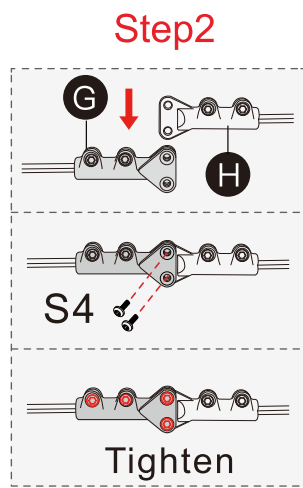
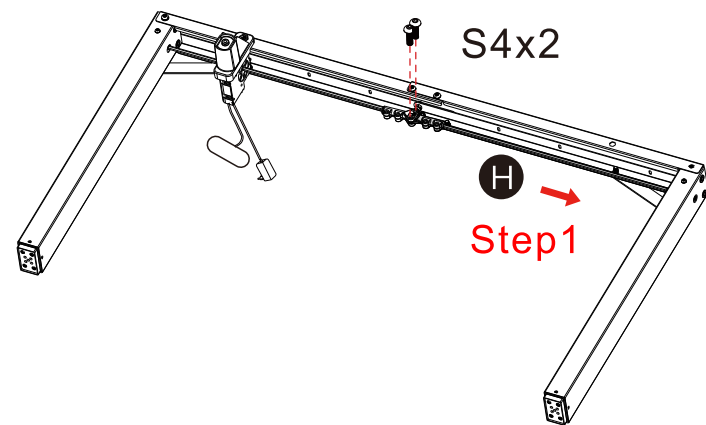
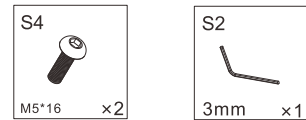
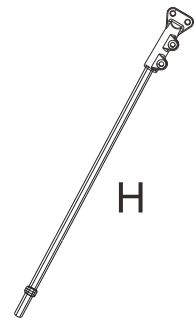
Parts: F, D, G

Accessories: S3 (M8*16 x1), S1 (6mm x1)

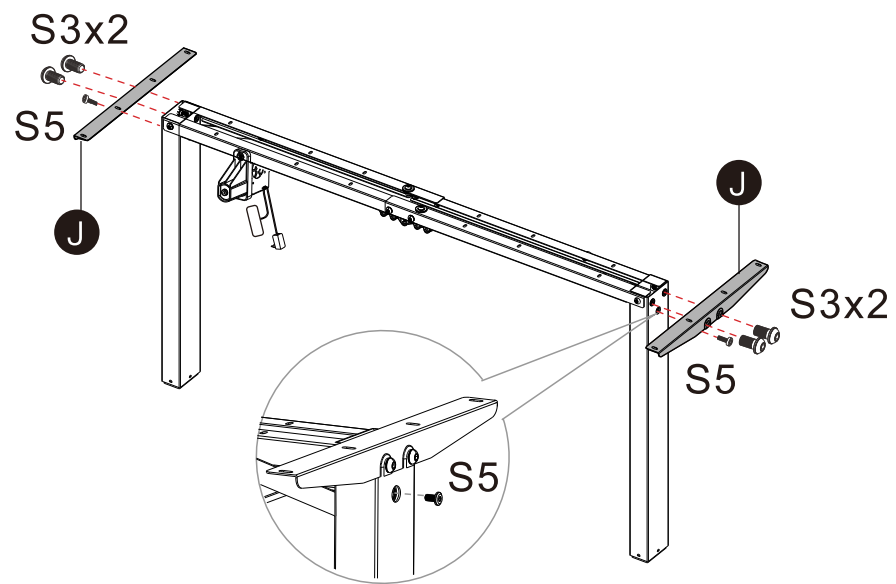
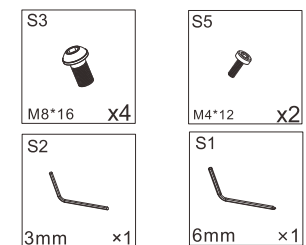
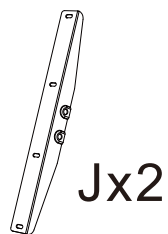
Sub-step 1: Attaching F and G to D.

Sub-step 2: Attaching D to B using S3.

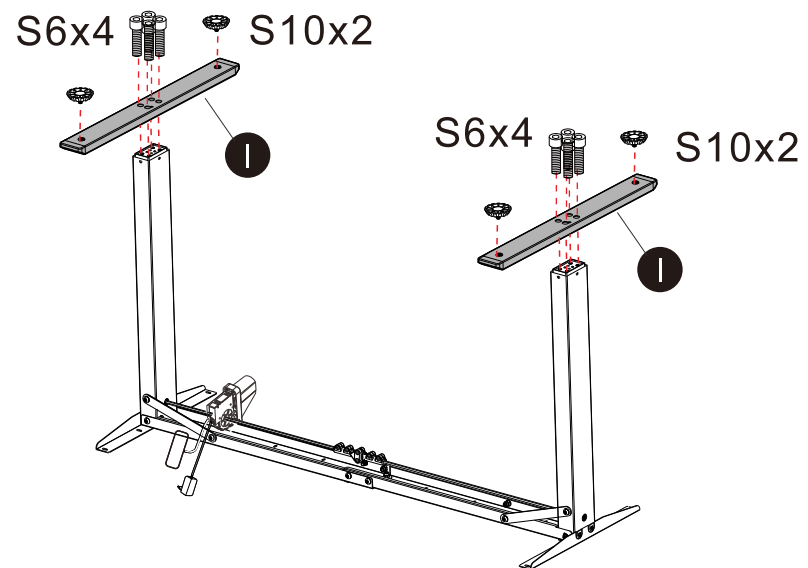
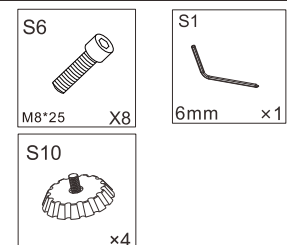
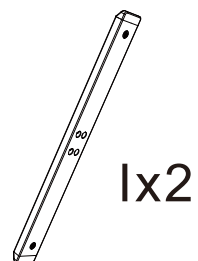
5



6

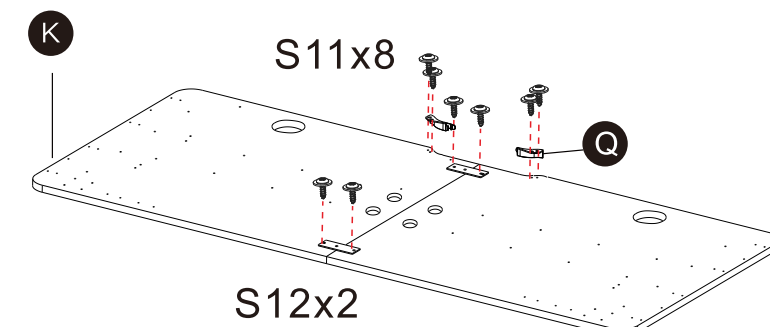
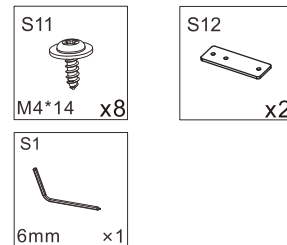
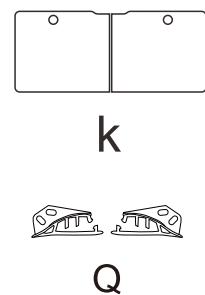


7



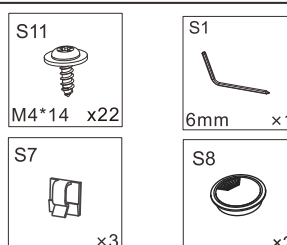
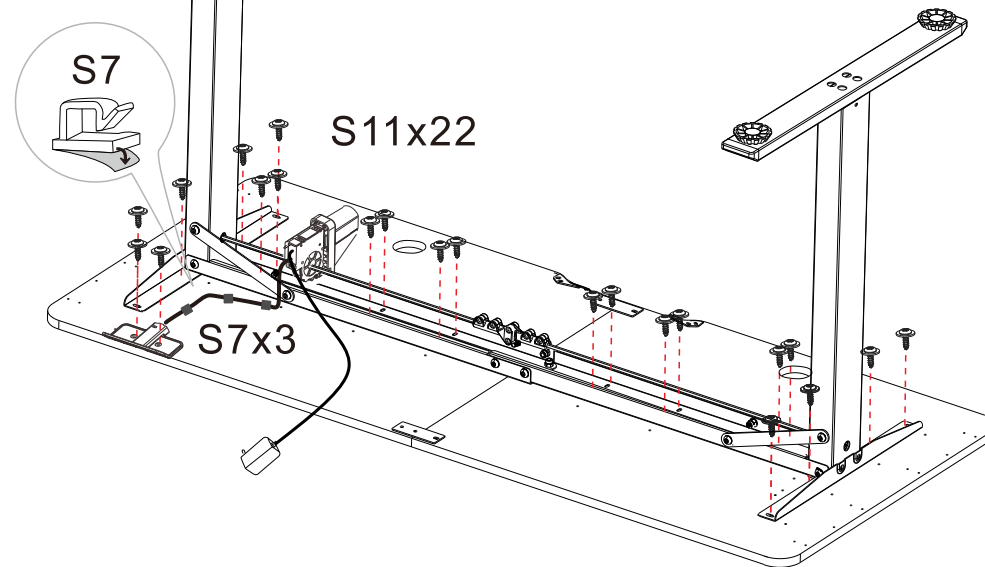
Please make sure the table legs are vertical to the connecting rod. And then tighten all the screws.

8

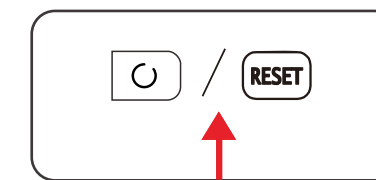
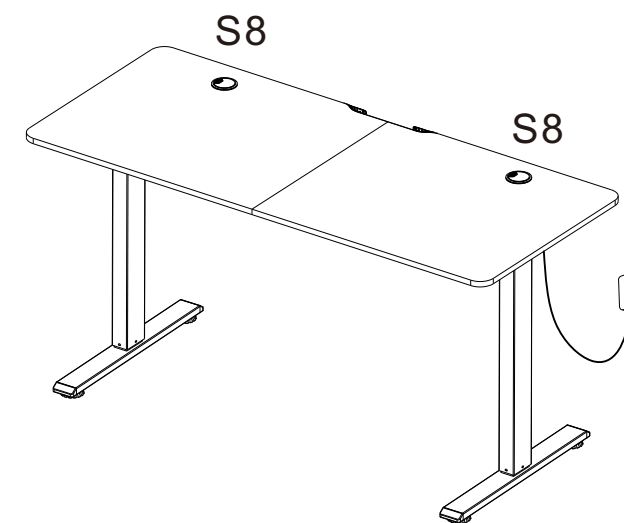


1. Please make sure the two boards are aligned and seamless
2. and then tighten the screws.

9



10



After the table is installed, please press the key to start

The table will automatically drop to the lowest point, stay for 3 seconds, then rise to the highest point, and finally return to the initial position - successful installation